

1 module RCBO 6kA, C curve

Catalogue numbers:
ADA1xxT

Specifications:

- BS style suitable for panelboards

Regulatory

- Approval AS/NZS 61009.1



Electrical

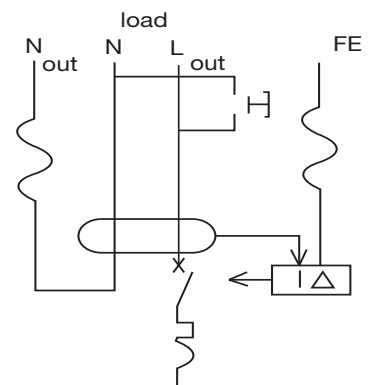
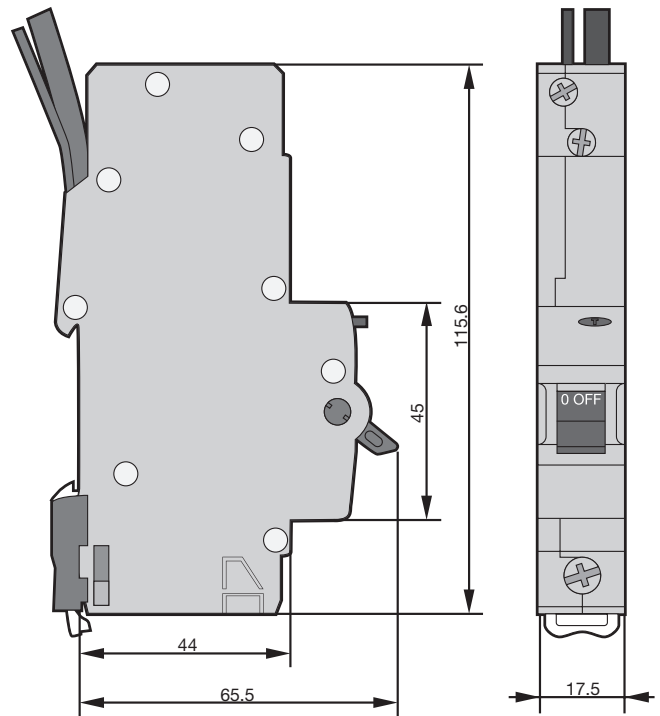
- Thermal trip characteristic - C curve (5-10xIn)
- Breaking capacity - 6,000A
- Voltage rating - 240V AC
- Current rating - 6-45A
- Residual current - 30mA (type A)

Mechanical

- Number of operations - 2000
- Connection capacity:
 - Rigid conductor - 25mm² max.
 - Flexible conductor - 16mm² max.
- Bi-connect allowing two terminal connection points and Neutral Bypass for the busbar
- Earth fault indication window
- Tightening torque 2.1Nm

Accessories

- Toggle locking kit - MZN175



References

Catalogue reference	Residual current I _{rn}	Current rating (A)	Width in 17.5mm
ADA106T	30mA	6	1
ADA110T	30mA	10	1
ADA116T	30mA	16	1
ADA120T	30mA	20	1
ADA125T	30mA	25	1
ADA132T	30mA	32	1
ADA140T	30mA	40	1
ADA145T	30mA	45	1